

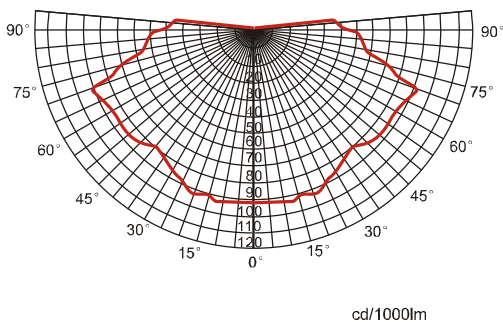


Explosion proof ballast box

Ex Code: Ex de II B T5
 Ex de II B T4
 Standard: GB3836.1, GB3836.2, GB3836.3
 IEC60079-1:2007,MOD
 IEC60079-7:2006,MOD



Light distribution curve



Application

Suitable to be used as emergency lighting in Zone 1 and Zone 2 explosive gas environment, various indoor and outdoor operation and construction sites.

Characteristics of performance

- Under normal condition, BC9110A will use normal external power to illuminate.
- In the case of power outage or in any situation where power is interrupted, this unit will automatically switch to battery backup which will power the unit for 80 or 40 minutes. (BC9110A-J35:80 minutes, BC9110A-J70:940minutes)
- BC9110B is only applied for emergency lighting when power outage, and on normal condition it is off.
- 70w Equipped with international famous brand light source and electrical appliance, more stable performance and gives approximately 20% more light over the other manufacturer's.
- The average life span of the light source is more than 10,000 hours. Therefore it is low maintenance .
- Two Explosion-proof cavities structure. The wiring cavity is separated from the main flameproof cavity, enhancing safety.
- Made of aluminium alloy, high strength. The spray coating treatment ensure the lamp waterproof, anti corrosion.

Main specification

Input Voltage	AC220V 50Hz
Recharge Time	>12 hours
Ingress Protection	IP65
Anti Corrosion Grade	WF2
Insulation Grade	I
Space Height Ratio	2.6
Thread	G3/4"
Leading-in cable diameter	φ 8mm - φ 10mm
Dimension	Lamp 400 × 266 × 170mm
	Ballast 325 × 250 × 120mm
Net Weight	Lamp 5Kg
	Ballast 5.5Kg

BC9110A, BC9110B Emergency Explosion proof Light

TORMIN

Ordering reference

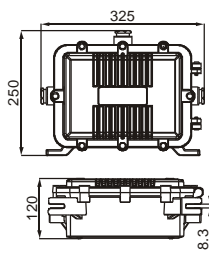
Model No.	Type	Light Source	Emergency Wattage (W)	Normal illuminate Wattage (W)	Emergency Duration (minute)	Emergency Luminous Flux(lm)
BC9110A-J35	Normal illuminate + Emergency	MH	35W	35W	80	2,500
			35W	35W	80	2,500
BC9110B-J35	Only Emergency	MH	35W	/	80	2,500
BC9110A-J70	Normal illuminate + Emergency	MH	70W	70W	40	5,500
			70W	70W	40	5,500
BC9110B-J70	Only Emergency	MH	70W	/	40	5,500

Remark: BC9110A: Under normal condition, BC9110A will use normal external power to illuminate. In the case of power outage or in any situation where power is interrupted, this unit will automatically switch to battery backup which will power the unit for 80 or 40 minutes.

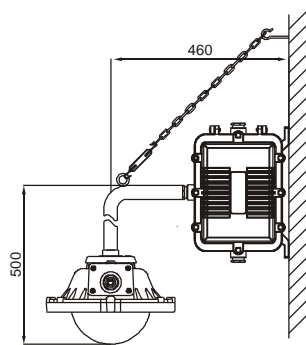
BC9110B is only applied for emergency lighting when power outage, and on normal condition it is off.

If emergency switch is needed, please add "-K" behind the model No. for example: BC9110A-J35-K

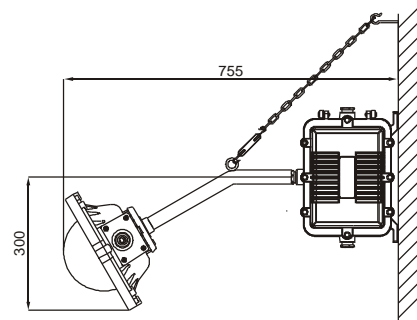
Drawing of dimension (Dimensions in mm)



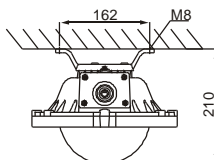
Explosion proof ballast box



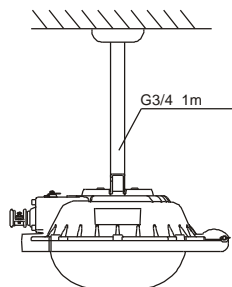
B1 90° (optional)



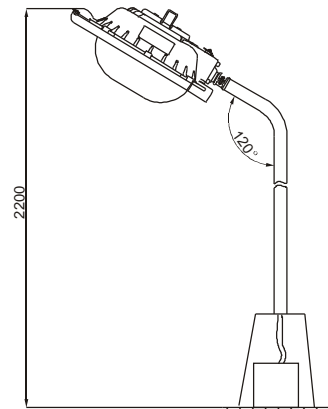
B1 30° (optional)



X (optional)



D (optional)



F (optional)

TORMIN

Tel: +86577 56966616 +86577 56966366 Fax: +86 577 56966166 E-mail: sales@tormin-lighting.com
Add: No.4978, Airport Road, Wenzhou City, Zhejiang Province, China Http://www.tormin-lighting.com