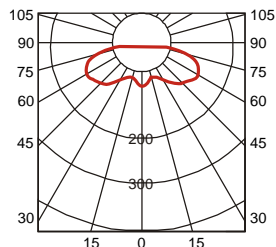
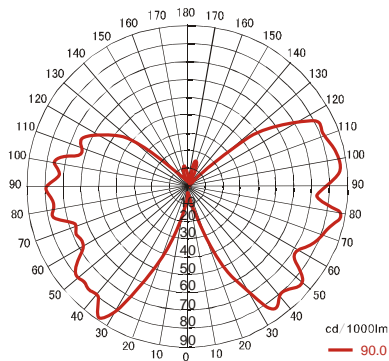




Ex Code: Ex d II C T3  
 Ex d II C T4  
 Standard: GB3836.1, GB3836.2  
 IEC60079-1:2007,MOD

### Light distribution curve



With Reflector

### Application

This product is an ideal lighting solution for the explosive and flammable places, such as the petrochemical device, oil platform, gas station, oil pump station, oil transmission station, etc. Safe to use in Zone 1, Zone 2 explosive gas environment.

### Characteristics of performance

- World famous brand light source and electrical appliance, with stable performance. It can give more 20% light over the other manufacturers.
- The average service life of the bulb is over 10,000 hours .Therefore it is low maintenance.
- The housing is made of aluminium alloy and have strong resistant to corrosion, water and dust, suitable to various harsh environments.The surface is subjected to the electro static treatment ,that enhance the anti corrosion performance.
- Easy to maintenance.

### Main specification

Input Voltage	AC220V 50Hz (60Hz Option)
Ingress Protection	IP65
Anti Corrosion Grade	WF2
Insulation Grade	I
Space Height Ratio	4
Thread	G3/4"
Leading-in cable diameter	φ 8mm - φ 14mm
Dimension	φ 367 × 630mm
Net Weight	19Kg

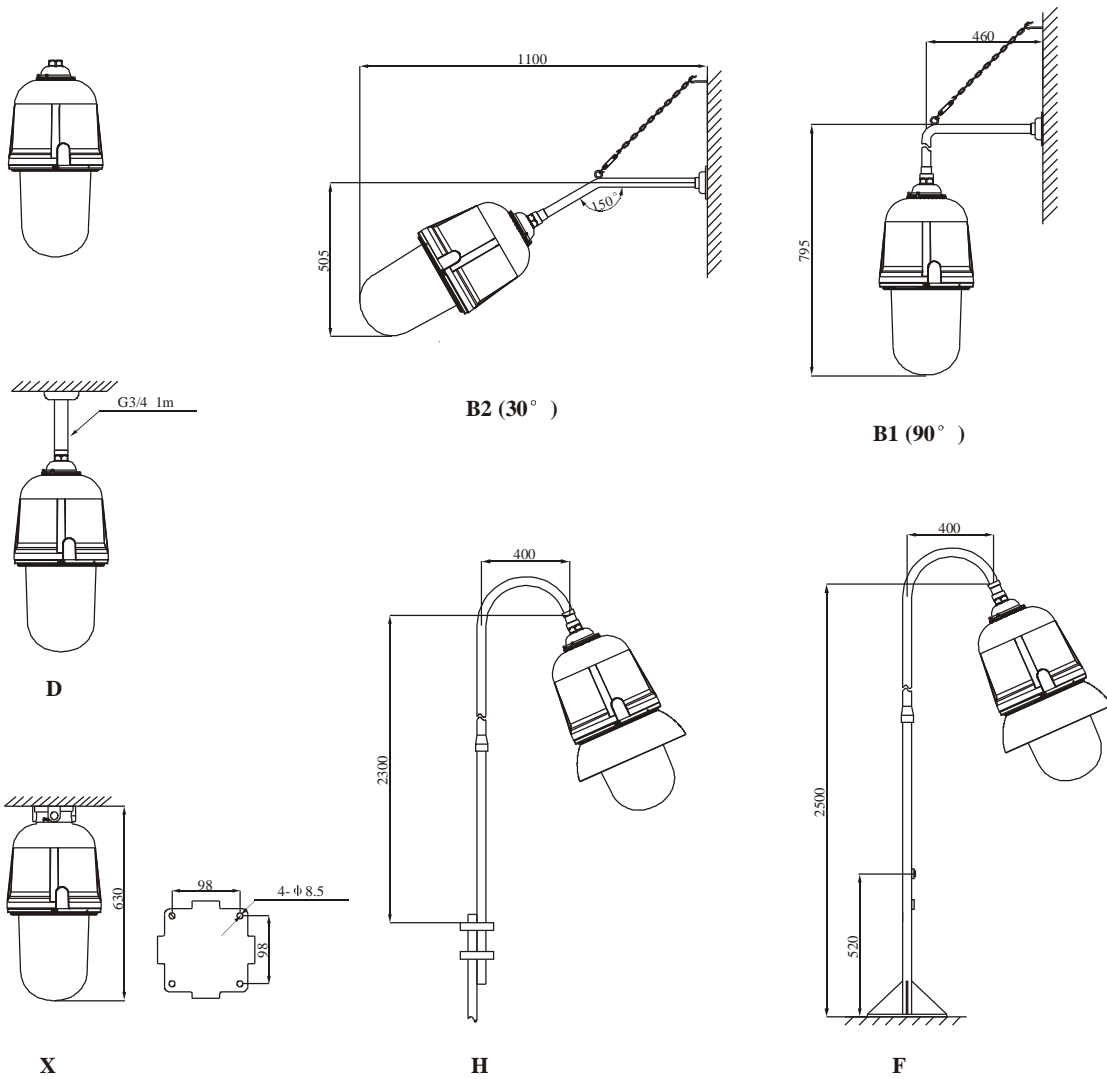
# BC9330Series Explosion proof Platform Light

**TORMIN**

## Ordering reference

Ordering Reference	Light Source	Wattage (W)	Luminous Flux (lm)	Lamp Average Life (h)	Temperature
BC9330-J250	MH	250	25,000	10,000	T4
BC9330-J400	MH	400	36,000	10,000	T3
BC9330-N250	HPS	250	27,500	28,500	T4
BC9330-N400	HPS	400	40,000	28,500	T3

## Drawing of dimension (Dimensions in mm)



**TORMIN**<sup>®</sup>

Tel: +86577 56966616 +86577 56966366 Fax: +86 577 56966166 E-mail: sales@tormin-lighting.com  
Add: No.4978, Airport Road, Wenzhou City, Zhejiang Province, China Http://www.tormin-lighting.com