

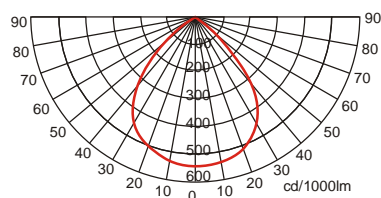
### LED



Ex Code: Ex d II C T6  
Standard: GB3836.1, GB3836.2  
IEC60079-1:2007,MOD



### Light distribution curve



### Application

The BC9700 high power explosion proof led lamp provides operator with a powerful and energy efficient alternative to traditional hazardous location luminaires. It is ideal to be used as floodlight or spotlight at the oilfield, metallurgy, refinery, gas station, oil rig, petroleum, petrochemistry and anywhere a highly durable and efficient light source is needed that can withstand exposure to high stress environments.

### Characteristics of performance

- It adopts America BridgeLux LED as light source, Taiwan meanwell brand LED driver, long life span ,maintenance free.
- The anti corrosion aluminium alloy body is powder coated for added durability and an attractive aesthetic appearance.
- The lamp is specially designed for high durability and to efficiently dissipate heat for prolonged LED life and safer operation in hazardous locations.
- The lamp is multi-voltage capable and can be operated with 90 to 305VAC.
- The strong aluminium alloy body and LED lamp design give this lamp excellent durability and resistance to vibration and impact.
- Available in several optional mounting configurations including ceiling mounting, pendant mounting, wall mounting etc.
- Equipped with adjustable locking device on the bracket that enables the operator to position lamp in any directions.
- Two cable inlet holes, enable the lamp parallel connected.

### Main specification

Input Voltage	AC90 to 305V
Output Voltage	DC33-40V
Frequency	47-63Hz
Ingress Protection	IP66
Anti Corrosion Grade	WF2
Insulation Grade	I
Space Height Ratio	2
Thread	G3/4"
Leading-in cable diameter	φ 8mm - φ 14mm
Dimension	φ 300 × 190mm
Net Weight	6.3Kg

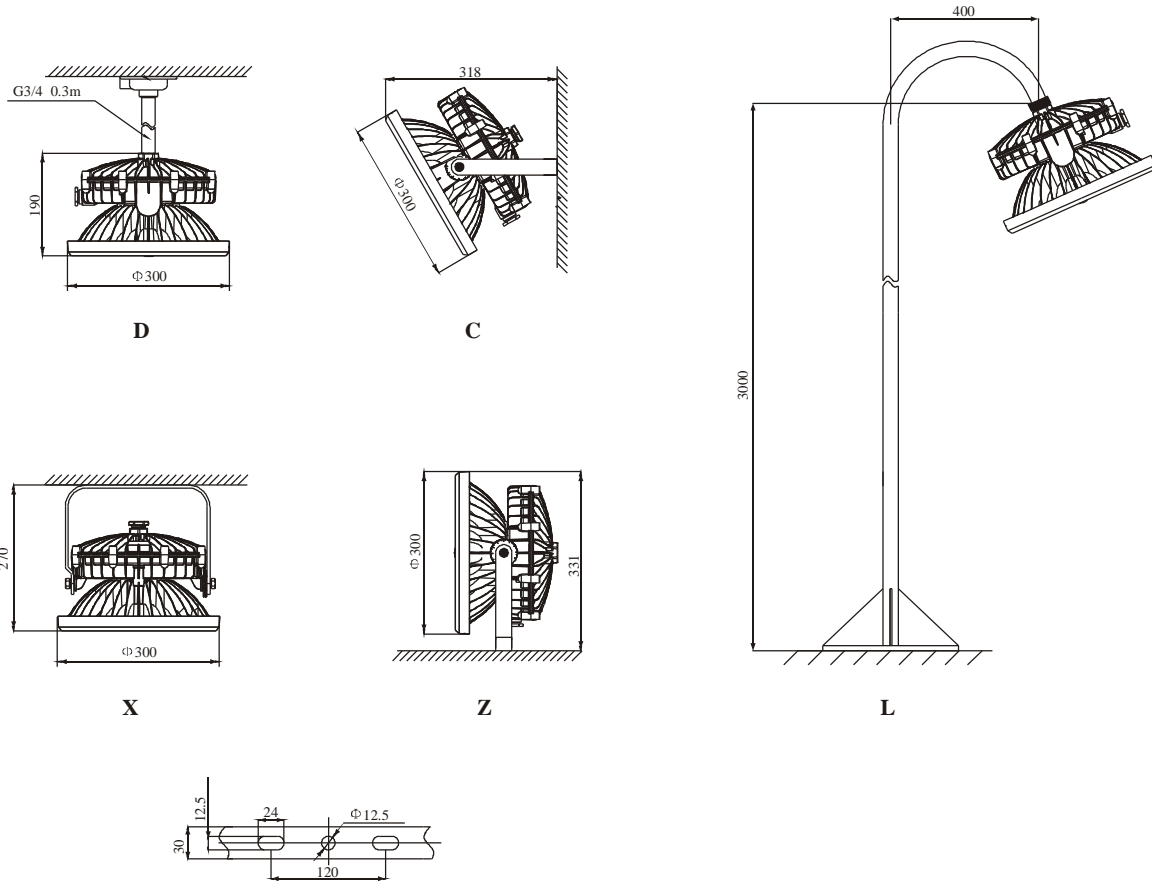
# BC9700Series High Power LED Explosion Proof Light

**TORMIN**

## Ordering reference

Ordering Reference	Light Source	Wattage(W)	Luminous Flux (lm)	Replace		
				MH *	Induction lamp	Mercury lamp
BC9700-L50	LED	50	4,561	100W	100W	125W
BC9700-L60	LED	60	5,080	150W	135W	175W
BC9700-L80	LED	80	6,991	175W	165W	250W
BC9700-L100	LED	100	8,435	250W	200W	250~400W
BC9700-L120	LED	120	9,794	250~400W	250W	400W

## Drawing of dimension (Dimensions in mm)



Mounting hole drawing

\*MH: Metal halide lamp

**TORMIN**<sup>®</sup>

Tel: +86577 56966616 +86577 56966366 Fax: +86 577 56966166 E-mail: sales@tormin-lighting.com  
Add: No.4978, Airport Road, Wenzhou City, Zhejiang Province, China Http://www.tormin-lighting.com