



Specification of LED Tri-proof Light (Standard)

Model No.	Power	Dimensions	Colour
XP-PL3060	60 watt	1500x124x43mm	White

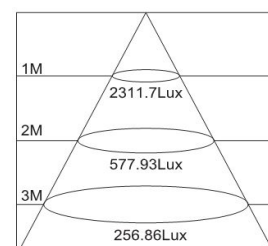


Features:

- Strictly designed based on IP65 protection, waterproof, dust proof and corrosion proof performance.
- High energy efficiency light source service more than 50,000hours, greatly improve the fixture's life span.
- All-in-one stream line body makes the fixture fashionable and modern, easily acceptable.
- Perfect heat dissipation and low operation temperature.
- Unique PVC material and stainless steel mounting clips, easy for installation.

Applications:

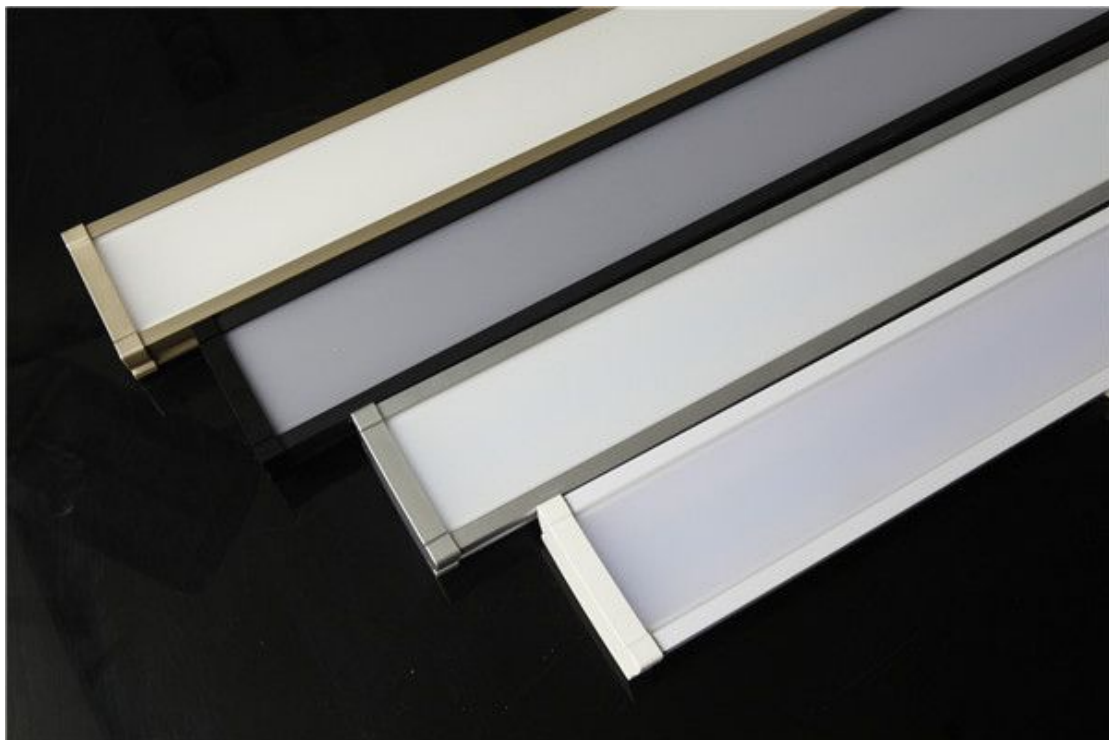
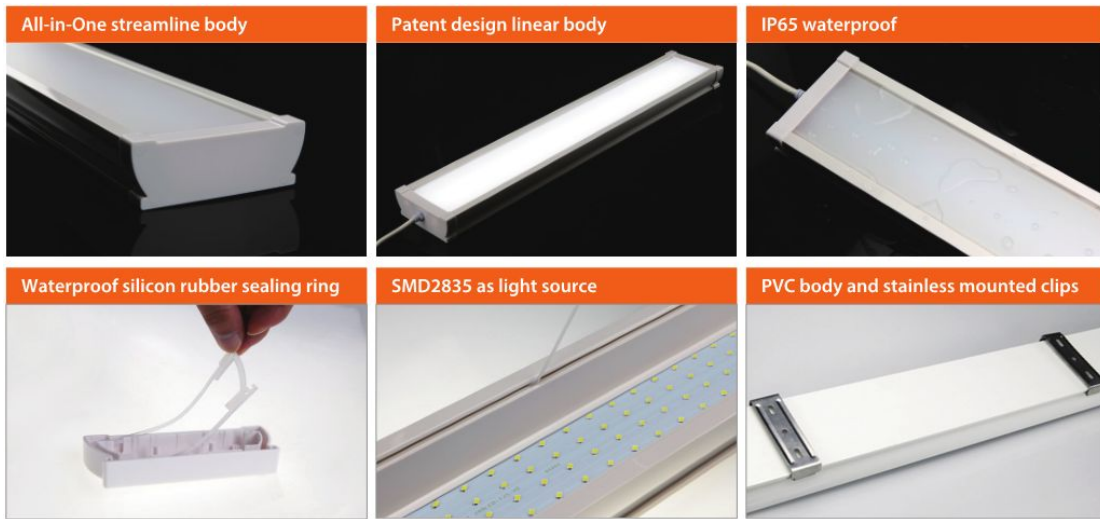
Factory, workshop, food processing;
 Clod storage, clean room, laboratory;
 Office, home, school, supermarket, retail;
 Livestock breeding, Chicken farm, pig farm, zoo;
 Metro station, underground, bus station etc.



Parameters

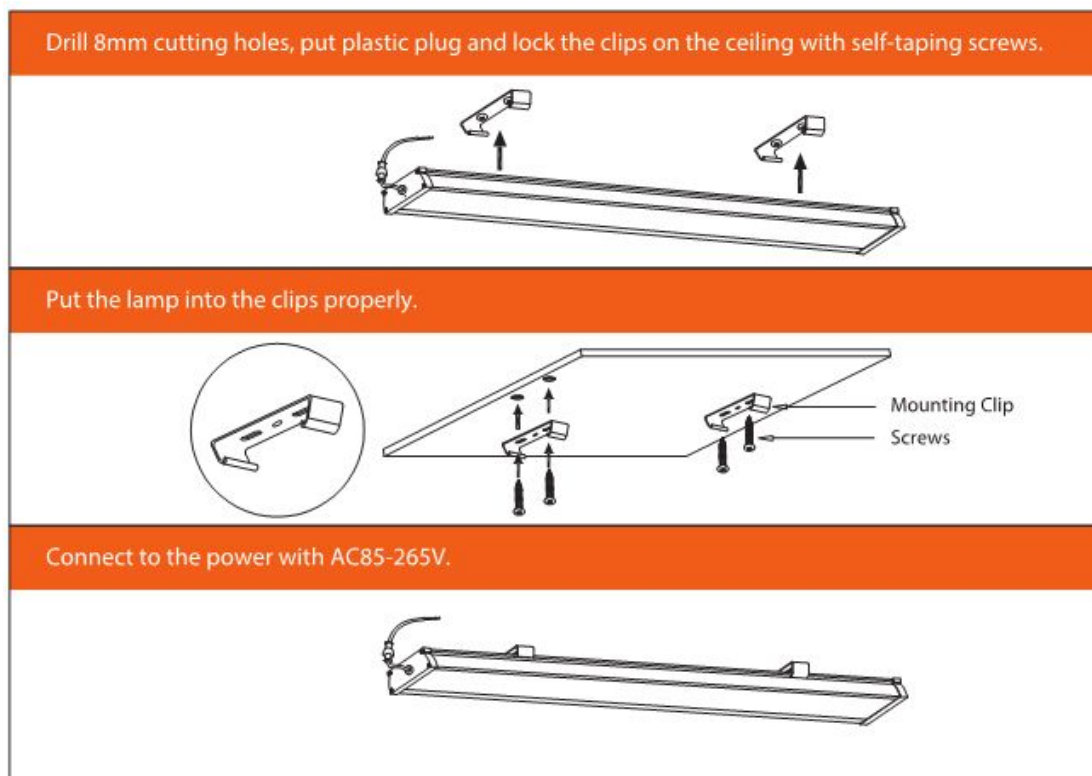
Product Name	60W LED Tri-proof Light	
Model No.	XP-PL3060	
Dimensions	1500x124x43mm	
Material	PVC+PMMA	
Power Consumption	60W	
Input Voltage	AC85~265V	
Power Frequency	50~60Hz	
Chip Brand	Epistar	
LED Type	SMD2835	
QTY of LEDs	480pcs	
Power Factor	>0.9	
Color Rendering Index	Ra>80	
Luminous Efficiency	100lm/w	
Luminous Flux	Warm White	5900lm
	Natural White	5960lm
	Cool White	6000lm
Color Temperature	Warm White	3000-3150K
	Natural White	4000-4200K
	Cool White	5800-6100K
Illuminance Uniformity	>80%	
Beam Angle	120 degree	
IP Grade	IP65	
SDCM	6	
THD	20%	
Withstand Voltage Test	3750V	
Insulation Resistance	5M Ω	
ON/OFF Cycles	>15,000 times	
Rated Failure Within 6000h	>0.95	
Housing Material	PVC	
Diffuser Material	Milky PMMA	
LED Node Temperature	$\leq 60^{\circ}\text{C}$	
Housing Temperature	$\leq 50^{\circ}\text{C}$	
Operation Ambient Temperature	$-20^{\circ}\text{C}\sim+45^{\circ}\text{C}$	
Storage Temperature	$-25^{\circ}\text{C}\sim+50^{\circ}\text{C}$	
LED Lifespan	50,000 hours	
Lamp Lifespan	36,000 hours	
Position of LED driver	Build-in	
Certificates	TUV, CE, RoHS, SAA, PSE, IP65	
Warranty	3 years	

Photos



Installation Instructions

1. Keep power switches turn off.
2. Drill four cutting holes according to the cutting size instructed.
3. Put plastic steel cork into the cutting holes properly.
4. Lock the claps onto the ceiling with self-taping screws.
5. Put the lamp into the claps properly.
6. Check accuracy, and then turn on the power for use.



Packing

Inner box packing

Quantity/Box: 1pc/Box

G.W.: 3.2Kg

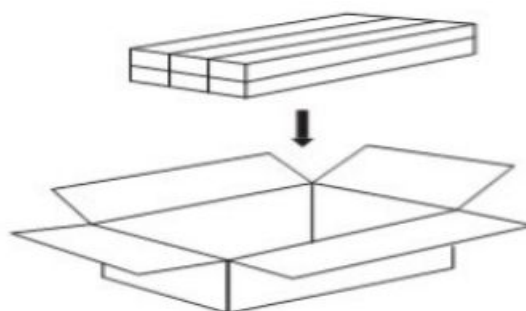
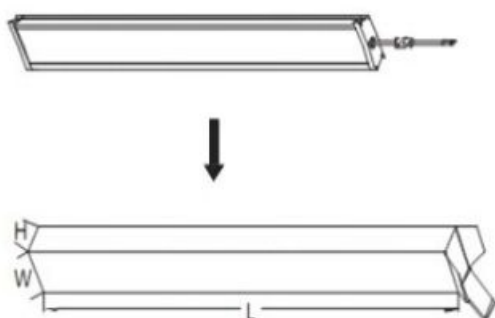
Box Size: 155x13.5x5cm

Carton packing

Quantity/Carton: 6pcs/Carton

G.W.: 21Kg

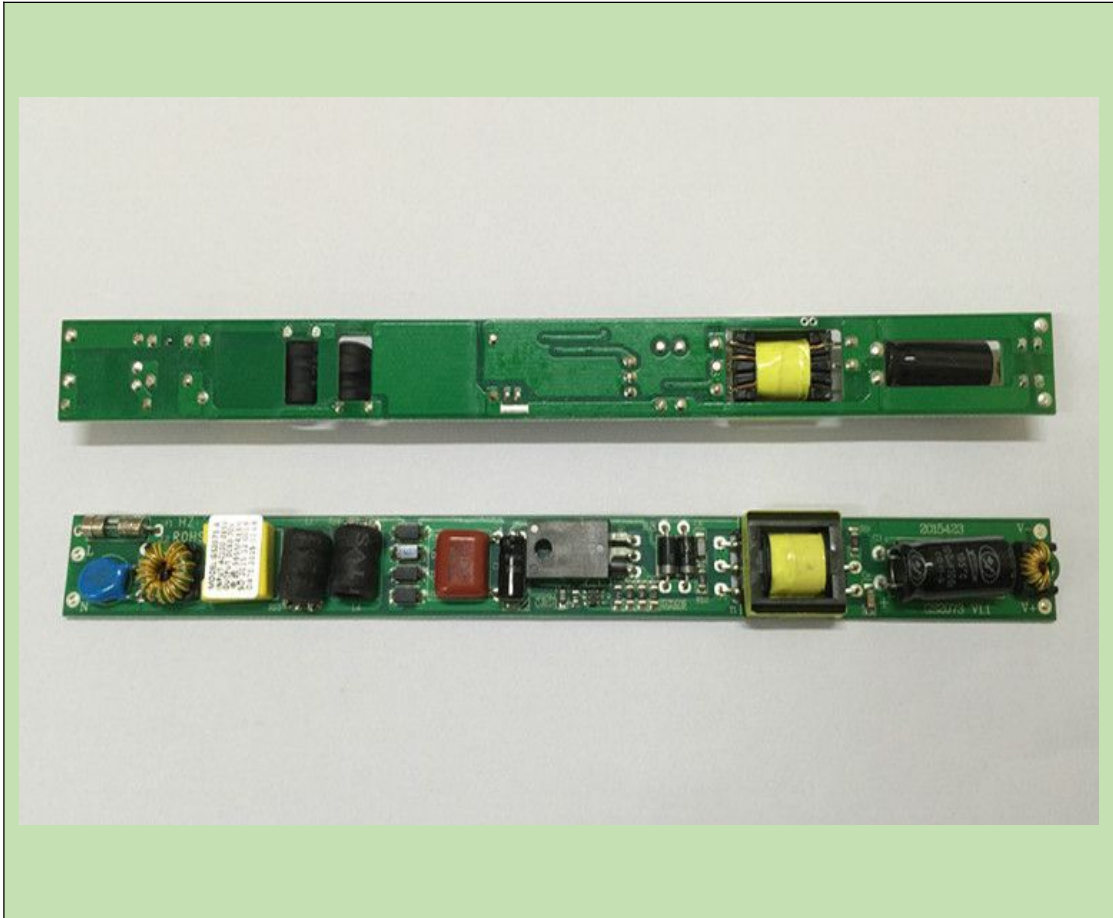
Carton Size: 156.5x28.5x16.5cm



Technical Data of LED Driver

Manufacturer	Shenzhen Green Success Technology Co., LTD.
Brand	GS
Model No.	GS2073-A
Dimensions of PCB	190*16*1.1mm
Topology of Driver	Buck
Isolated Driver	No
DC Voltage	72V
Rated Current	395mA
Rated Power	30W
QTY of LED Driver	2pcs
Ripple & Noise (max.)	200mVp-p
Voltage Adj. Range	45 ~ 80V
Input Characteristics	
Input Voltage	AC85-265V
Input Frequency	47-66Hz
Power Factor	F>0.95/115VAC, PF>0.92/230VAC, PF>0.9/264VAC at full load
Efficiency (Typ.)	90%
AC Current (Typ.)	0.5A(MAX)
Inrush Current	Cold Start: 60A/30uS 230VAC full load
Output Characteristics	
Current Adj. Range	120mA ~ 395mA
Voltage Tolerance	±3%
Line Regulation	±3%
Load Regulation	±3%
Setup, Rise Time	500mS
Protection	
OVER CURRENT	95 ~ 108%
Protection type	Constant current limiting, recovers automatically after fault condition is removed
SHORT CIRCUIT	Constant current limiting, recovers automatically after fault condition is removed
OVER VOLTAGE	30 ~ 85V
Protection type	Shut down o/p voltage with auto-recovery or re-power on to recovery
OVER TEMPERATURE	85 ± 10 (RTH2)
Protection type	Shut down o/p voltage, recovers automatically after temperature goes down
WORKING TEMP.	-10 ~ +60°C
STORAGE TEMP.	-40 ~ +85°C

Picture of LED Driver (Front and Back)



Soft Drawing of PCB Driver

